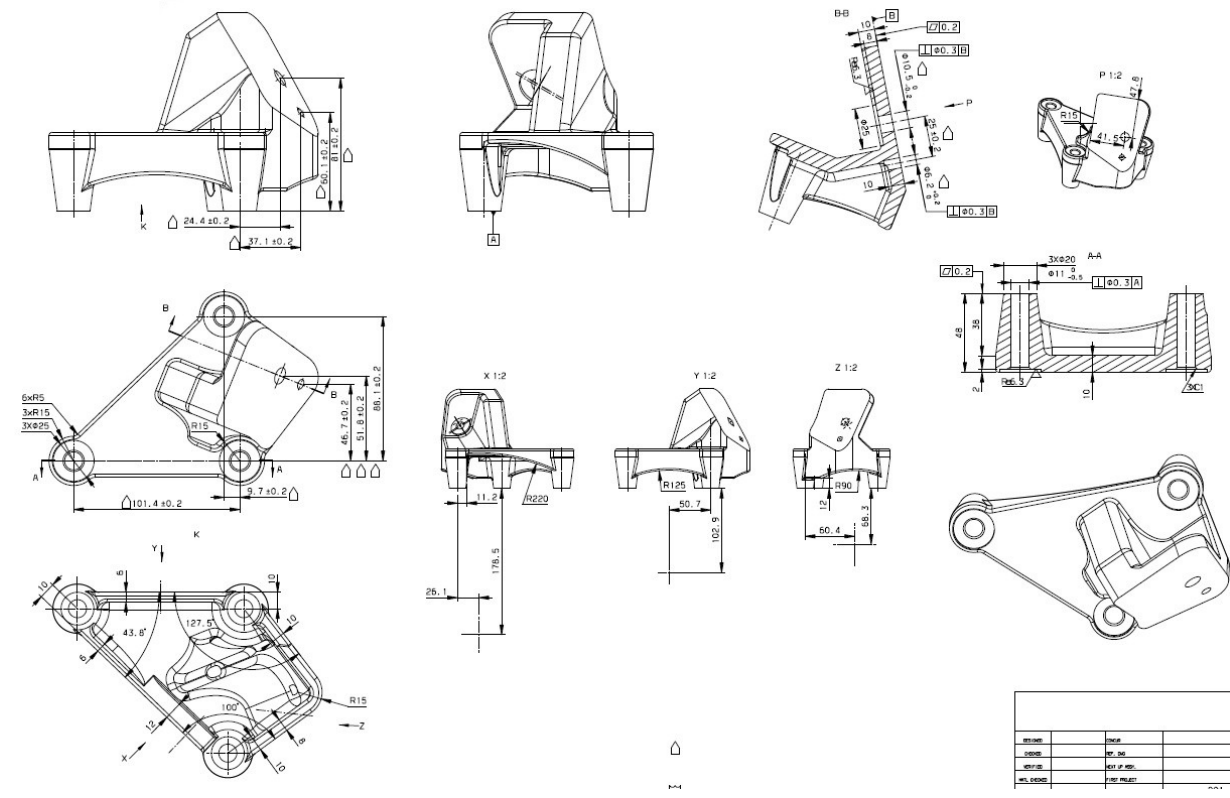


Automotive part 2D drawing



Automotive part 3D model snapshot

